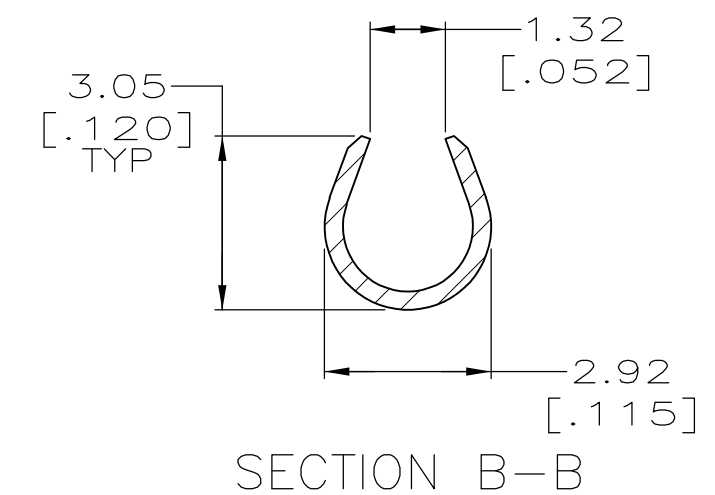
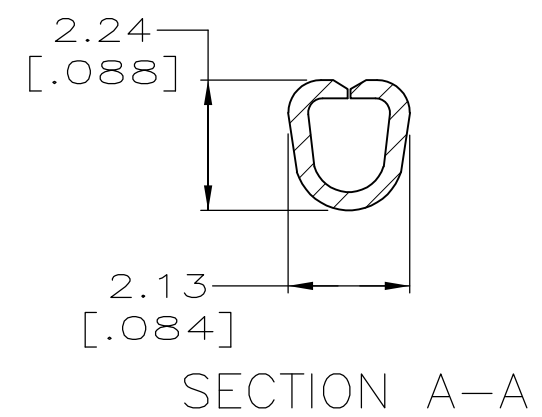
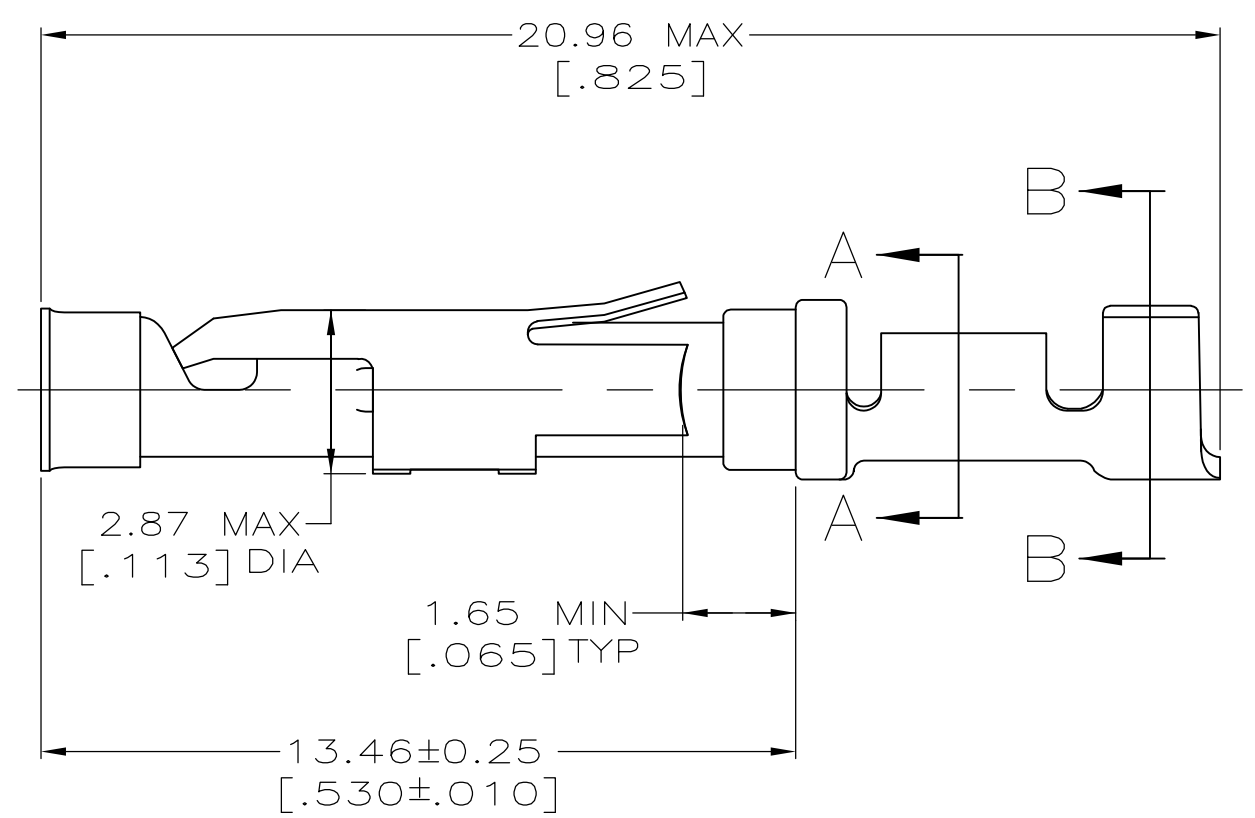
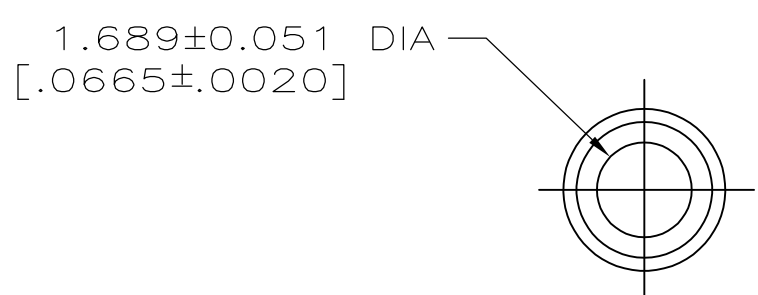
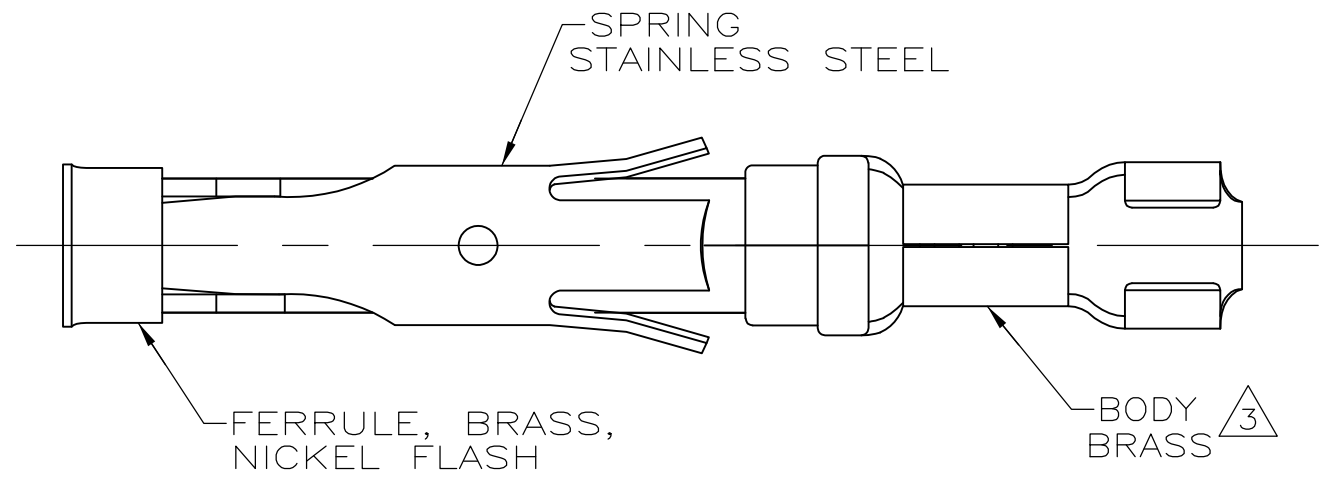


LOC	DIST	REVISIONS			
P	LTR	DESCRIPTION	DATE	OWN	APVD
FT	47	J1	REVISED PER ECO-11-005027	11MAR11	RK HMR

1. WIRE RANGE 18-16 AWG.
2. COLOR CODED BLUE IN SPRING DIMPLE AREA.
3. $0.76\mu\text{m}$ [.000030] MIN GOLD PER MIL-G-45204 ON MATING END FOR A LENGTH OF 5.08 [.200] MIN WITH A UNIFORM GRADIENT TO $0.25\mu\text{m}$ [.000010] MIN GOLD PER MIL-G-45204 ON INSULATION SUPPORT BARREL OVER $0.76\mu\text{m}$ [.000030] MIN NICKEL PER QQ-N-290.



SMALL PACK	66181-3
STANDARD	66181-1
PACKAGING TYPE	PART NO

THIS DRAWING IS A CONTROLLED DOCUMENT.		DWN	R. SHIREY	7-29-91	TE Connectivity
DIMENSIONS: MM[INCHES]		CHK	R. STONE	9-19-91	
TOLERANCES UNLESS OTHERWISE SPECIFIED:		APVD	J. WESTMAN	9-20-91	
0 PLC ± - 1 PLC ± - 2 PLC ± 0.13[.005] 3 PLC ± - 4 PLC ± - ANGLES ± ± -		PRODUCT SPEC	NAME		
MATERIAL SEE CALLOUTS		FINISH	SEE CALLOUTS		RESTRICTED TO
MATERIAL		WEIGHT	A2 00779 G-66181		SIZE
SEE CALLOUTS		SEE CALLOUTS	CUSTOMER DRAWING		CAGE CODE
		SCALE	8:1	SHEET	1 OF 1
		REV	J1		